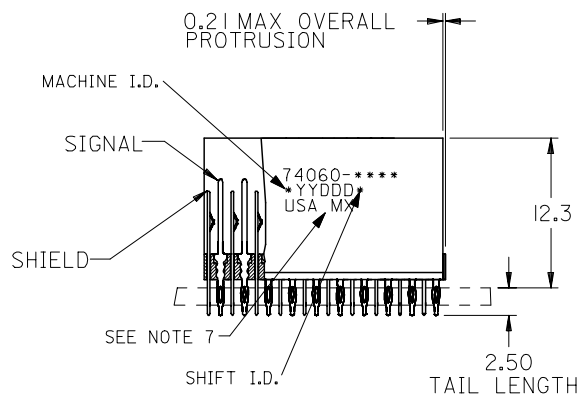
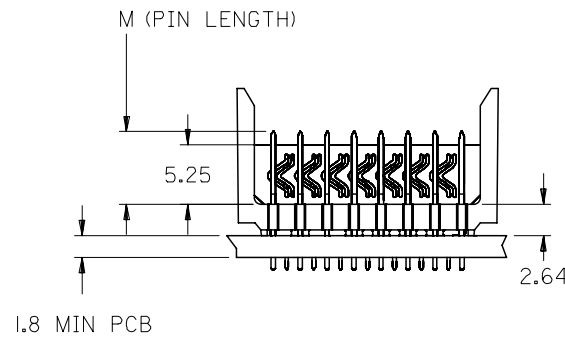


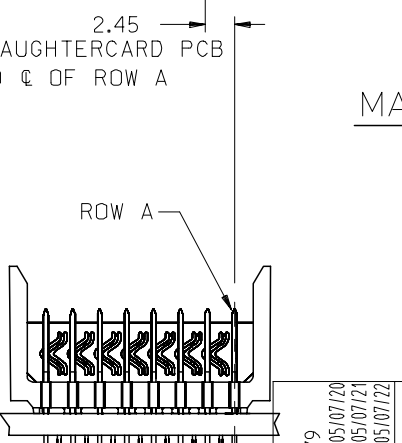
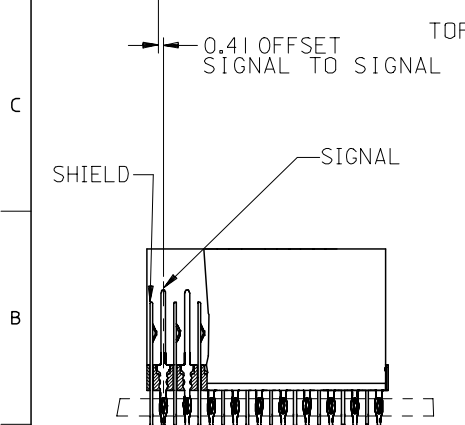
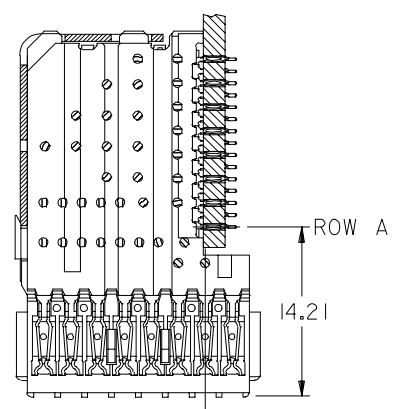
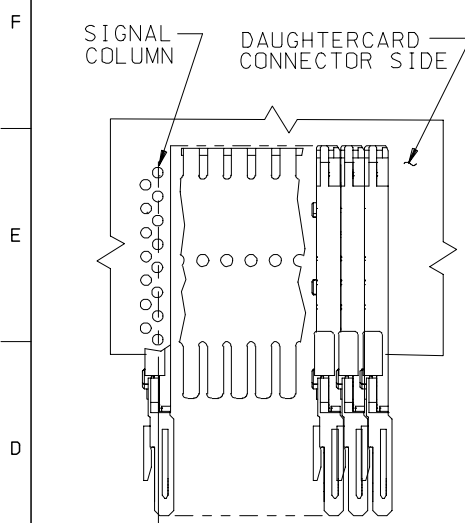
**BACKPLANE HOLE PATTERN
RECOMMENDED DIMENSION**



- NOTES:
- MATERIALS:
HOUSING - LIQUID CRYSTAL POLYMER (LCP),
GLASS-FILLED, UL 94V-0, COLOR: BLACK
SIGNAL PIN & SHIELD - COPPER ALLOY
 - FINISHES:
CONTACT AREA: SELECTIVE GOLD (Au)
PCB TAILS: SELECTIVE TIN/LEAD (Sn/Pb)
OR SELECTIVE MATTE TIN (Sn)
NICKEL (Ni) OVERALL.
 - THIS PART CONFORMS TO MOLEX PRODUCT SPECIFICATION PS-74031-999
 - FOR MIXED CONTACT LENGTHS CONSULT MOLEX FOR AVAILABILITY
 - FOR SPECIFIC MATERIAL NUMBERS & MATING INFORMATION REFER TO SHEET 2
 - PACKAGE PER PK-74060-003
 - EITHER MARK PART WITH PART NUMBER & DATE CODE APPROXIMATELY WHERE SHOWN OR PLACE LABEL ON THE TUBE.

ADD LEADFREE PINS EC NO: UCP2006-0079 DRW: KMK/MLVEY 2005/07/20 CHKD: 2005/07/21 APPR: SREED 2005/07/22	DESCRIPTION REV J	QUALITY SYMBOLS $\nabla=0$ $\nabla=0$	GENERAL TOLERANCES (UNLESS SPECIFIED)		DIMENSION STYLE MM ONLY	SCALE 2.5:1	DESIGN UNITS METRIC	THIRD ANGLE PROJECTION	
			mm	INCH	DRAWN BY MWANG	DATE 1998/11/09	TITLE VHDM 8 ROW OPEN END BACKPLANE SALES ASSEMBLY		
			4 PLACES ± ---	± ---	CHECKED BY JLAURX	DATE 1998/11/09			
			3 PLACES ± ---	± ---	APPROVED BY CBIXLER	DATE 1998/11/09	MOLEX INCORPORATED		
		2 PLACES ± ---	± ---	MATERIAL NO. SEE SHEET 2	DOCUMENT NO. SD-74060-002	SHEET NO. 1 OF 2			
		1 PLACE ± ---	± ---	DRAFT WHERE APPLICABLE MUST REMAIN WITHIN DIMENSIONS					
				THIS DRAWING CONTAINS INFORMATION THAT IS PROPRIETARY TO MOLEX INCORPORATED AND SHOULD NOT BE USED WITHOUT WRITTEN PERMISSION					

10 9 8 7 6 5 4 3 2 1



PART NUMBER	COLUMN	NUMBER OF SIGNAL PIN	NUMBER OF SHIELD	A	B	M	Au (um) THICKNESS	Sn (um) THICKNESS
74060-*001	10	80	10	20.00	18.00	4.75	0.76	0.76-1.52
74060-*006							1.27	
74060-*501	25	200	25	50.00	48.00	6.25	0.76	
74060-*506							1.27	
74060-*002	10	80	10	20.00	18.00	4.25	0.76	
74060-*007							1.27	
74060-*502	25	200	25	50.00	48.00	5.15	0.76	
74060-*507							1.27	
74060-*003	10	80	10	20.00	18.00	4.25	0.76	
74060-*008							1.27	
74060-*503	25	200	25	50.00	48.00	5.15	0.76	
74060-*508							1.27	
74060-*004	10	80	10	20.00	18.00	4.25	0.76	
74060-*009							1.27	
74060-*504	25	200	25	50.00	48.00	5.15	0.76	
74060-*509							1.27	

MATERIAL NUMBER ASSIGNMENT

74060-** **
 SEE TABLE
 NUMBER OF COLUMNS/PLATING
 10 = 10 COLUMN TIN/LEAD
 25 = 25 COLUMN TIN/LEAD
 90 = 10 COLUMN MATTE TIN
 85 = 25 COLUMN MATTE TIN

SEE SHEET 1
 EC NO: UCP2006-0079
 DRWN: KMULVEY 2005/07/20
 CHKD: 2005/07/21
 APPR: SREED 2005/07/22

QUALITY SYMBOLS
 ▽=0
 ▽=0

GENERAL TOLERANCES (UNLESS SPECIFIED)

	mm	INCH
4 PLACES	± ---	± ---
3 PLACES	± ---	± ---
2 PLACES	± ---	± ---
1 PLACE	± ---	± ---

ANGULAR ±1/2°

DRAFT WHERE APPLICABLE
 MUST REMAIN WITHIN DIMENSIONS

DIMENSION STYLE
 MM ONLY

DRAWN BY DATE
 MWANG 1998/11/09

CHECKED BY DATE
 JLAURX 1998/11/09

APPROVED BY DATE
 CBIXLER 1998/11/09

MATERIAL NO.
 SEE CHART

SCALE
 2.5:1

DESIGN UNITS
 METRIC

THIRD ANGLE PROJECTION

TITLE
 VHDM 8 ROW
 OPEN END BACKPLANE
 SALES ASSEMBLY

MOLEX INCORPORATED

DOCUMENT NO.
 SD-74060-002

SHEET NO.
 2 OF 2

9 8 7 6 5 4 3 2 1